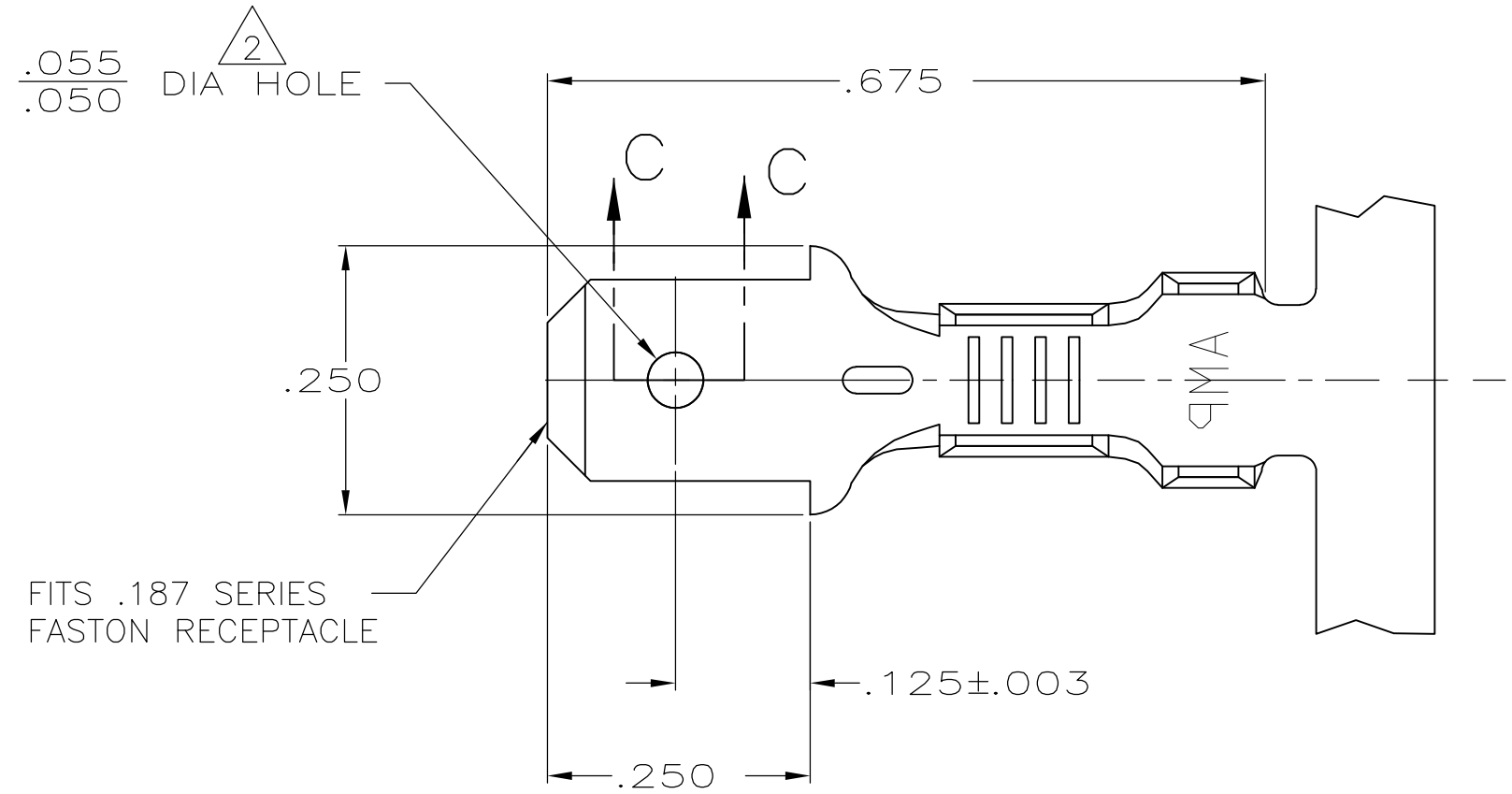
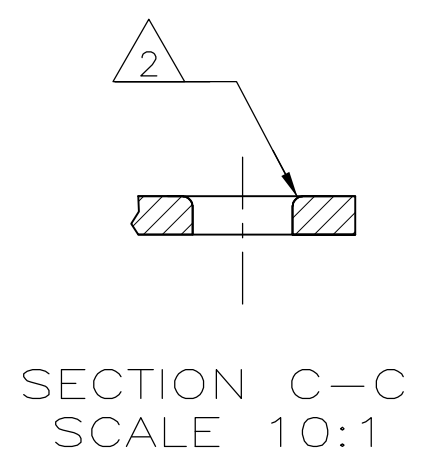
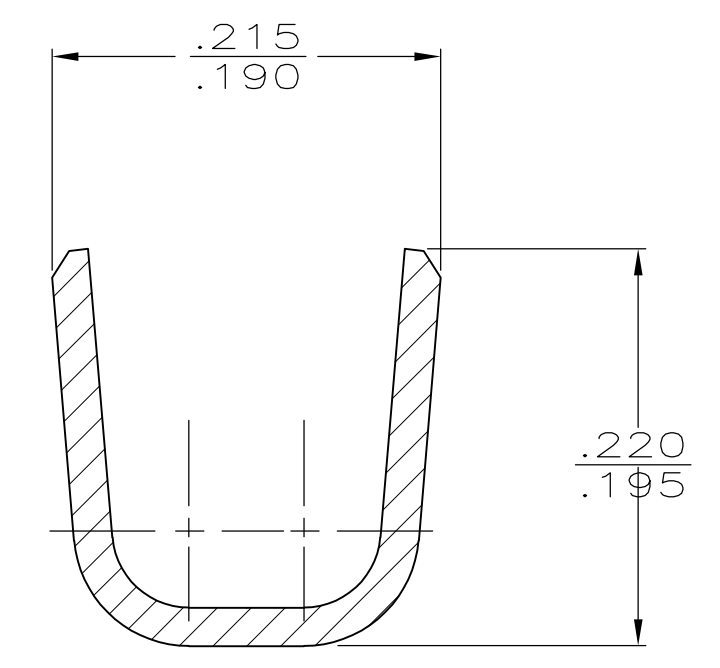
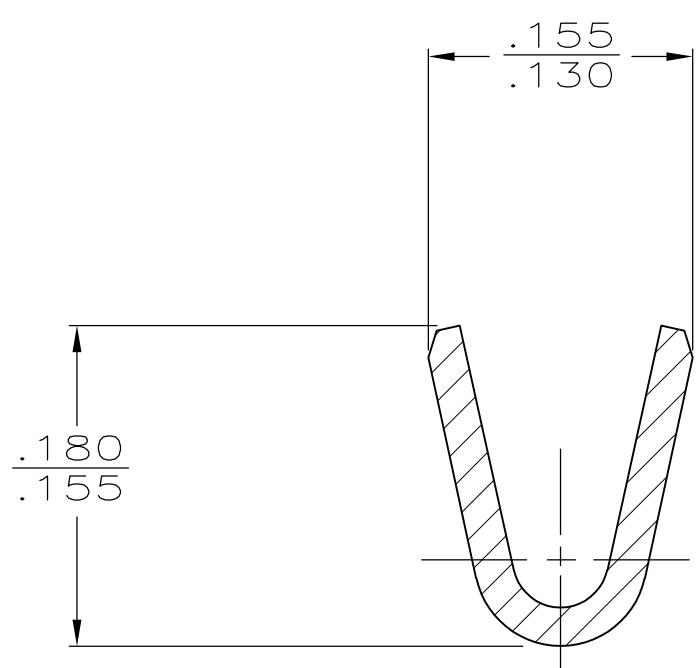
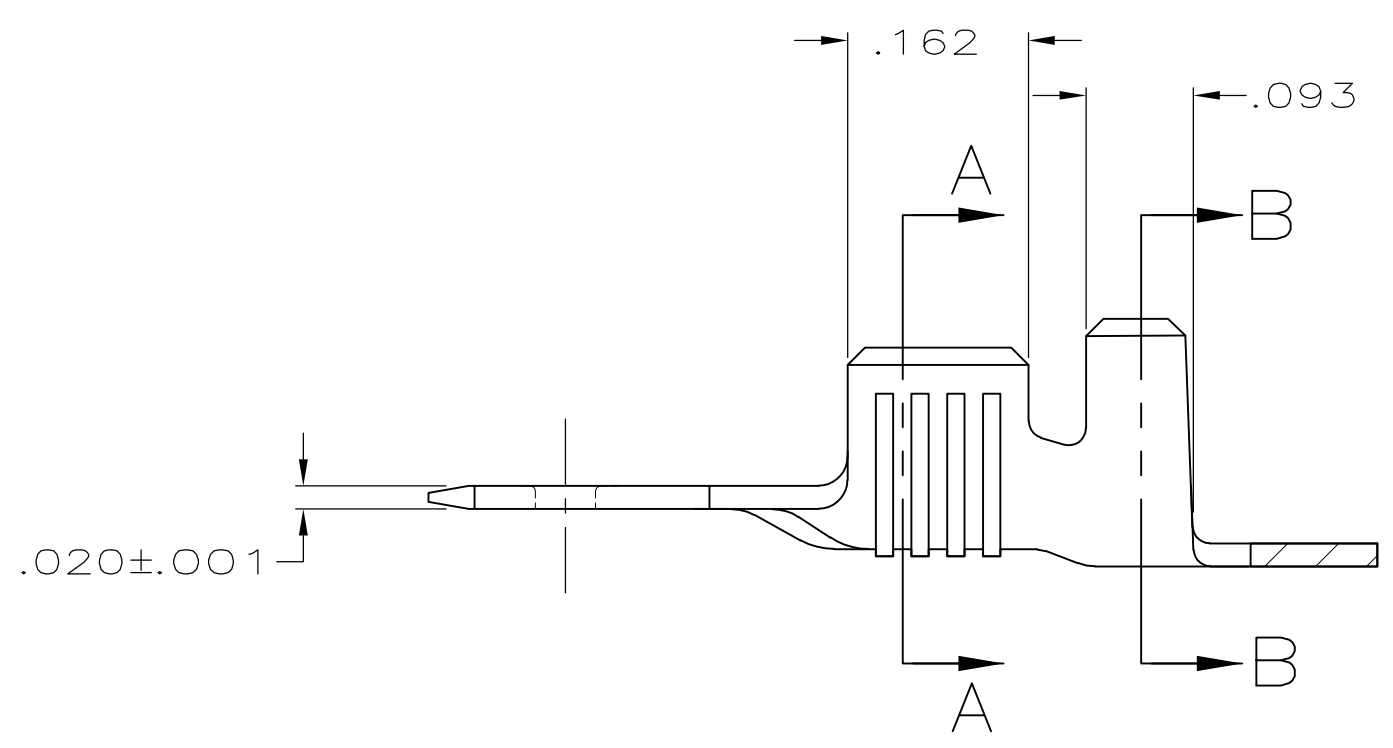


THIS DRAWING IS UNPUBLISHED. RELEASED FOR PUBLICATION
 © COPYRIGHT - By - ALL RIGHTS RESERVED.

LOC	DIST	REVISIONS			
P	LTR	DESCRIPTION	DATE	DWN	APVD
AF	50	N	REVISED PER ECR-13-011489	06DEC2013	KH PD



- 1 CONTINUOUS STRIP ON REEL.
- 2 NO BURRS PERMISSIBLE AT HOLE. .005 MAX RADIUS PERMISSIBLE ON TOP.



TIN	.120-.150	18-14	60850-2
FINISH	INSULATION RANGE	WIRE RANGE	PART NO

0	.180	.218	F	.110	.085	14	THIS DRAWING IS A CONTROLLED DOCUMENT.
					.076	16	
					.071	18	
TYPE	WIDTH	STRIP LENGTH ±.015	TYPE	WIDTH	±.002 HEIGHT	WIRE	DIMENSIONS: INCHES
INSUL BARREL CRIMP			WIRE BARREL CRIMP				TOLERANCES UNLESS OTHERWISE SPECIFIED:
							0 PLC ± -
							1 PLC ± -
							2 PLC ± -
							3 PLC ± .015
							4 PLC ± -
							ANGLES ± -
							FINISH SEE TABLE
							MATERIAL BRASS

TE TE Connectivity

TAB,FASTON,.187 SERIES™

NAME: C MEYERS

DATE: 2/17/89

SIZE: A2 CAGE CODE: 00779 C=60850

SCALE: 6:1 SHEET: 1 of 1 REV: N